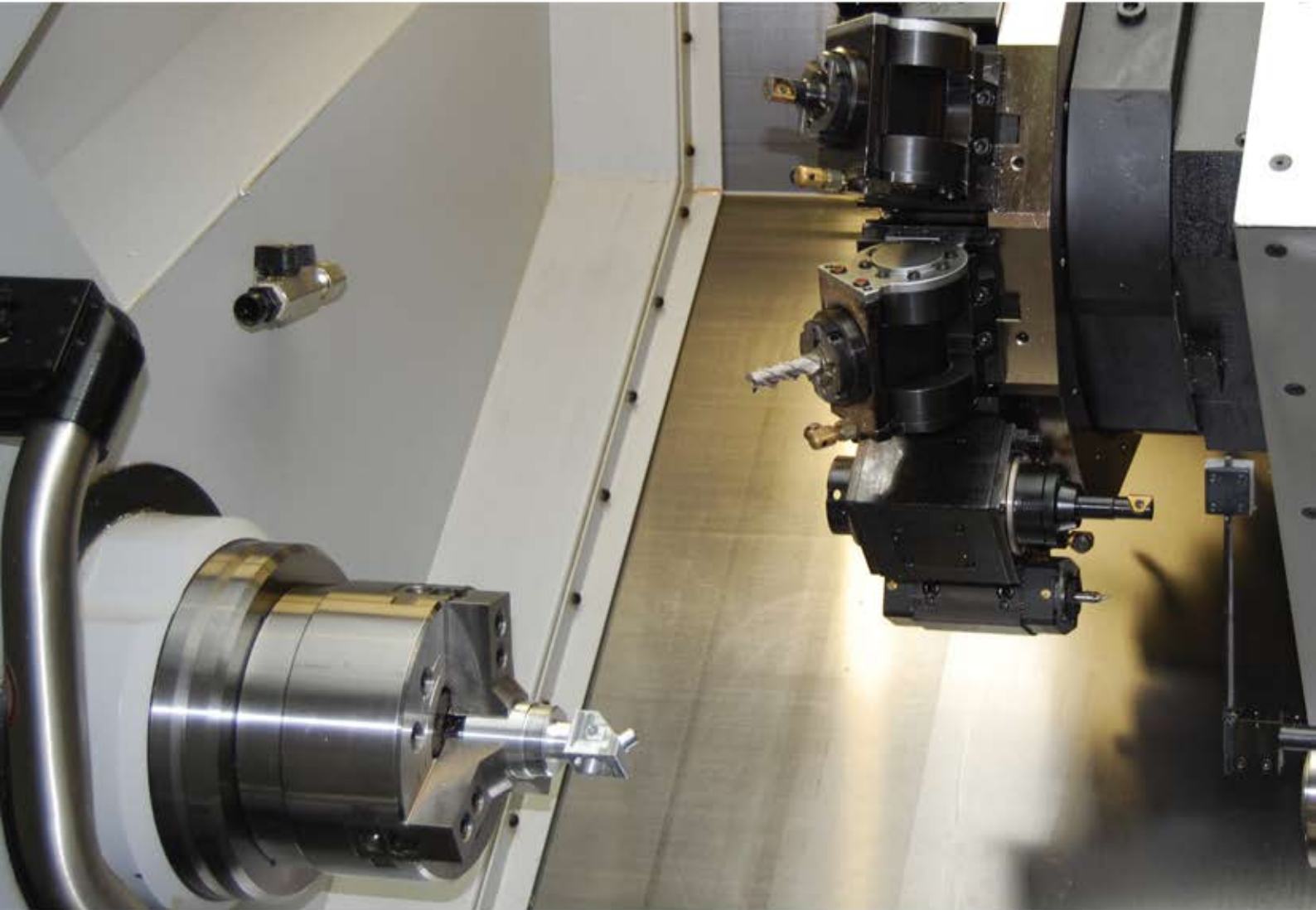




Powerful CAD CAM, Made Easy.



OneCNC XR8

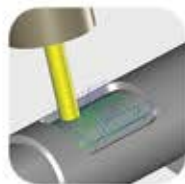
Lathe



2 Axis



C Axis



Wrap



C+Y Axis

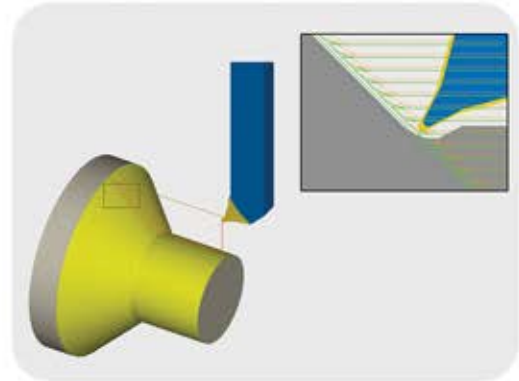


C+Y+B Axis



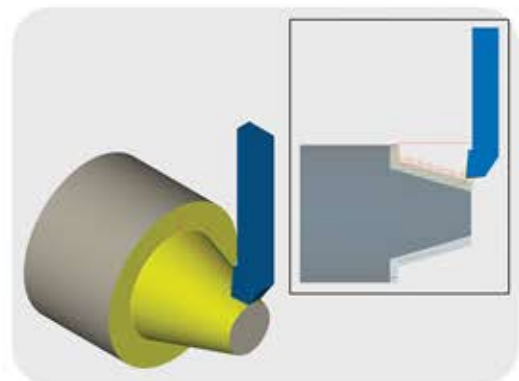
High Speed Turning

Powerful high speed functionality for turning in both directions in CNC lathe is now used to make turning a more productive method in certain applications. New holders and inserts are available from tooling suppliers to enable this advanced development. OneCNC Lathe provides directional control in certain toolpaths to take full advantage and provide these high feed time saving toolpaths. Technology similar to high-speed milling with feed control is used to support high speed turning.



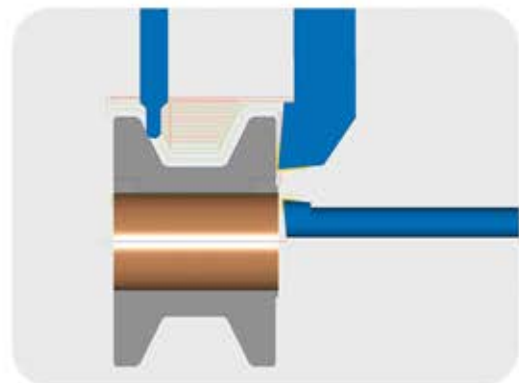
Forging & Casting Support

OneCNC Lathe Supports SM “Smart Boundary” which means that it provides ability to Turn Rough and Turn Finish from the boundary shape of forgings and or castings to the final machined shape. This functionality provides greater efficiency by removing considerable air cutting time. This boundary can be derived directly from the solid model or created using the fully integrated CAD geometry tools and can be used for path control in regular tool paths.



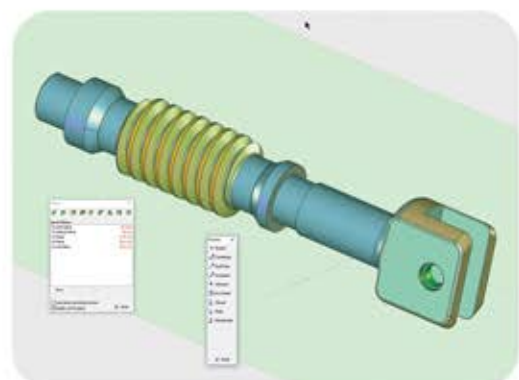
Efficient Toolpaths

OneCNC produces advanced rough and finish turning cycles, together with support for facing, boring grooving and drilling in either canned cycle or longhand format. Directional control including bi-directional combine to provide efficient time saving functionality. Feature recognition is available for drilling boring and tapping functionality in the multi-axis modules. High speed machining for both closed and open pocket provides all round efficient toolpaths for mill-turn.



Smart Plane

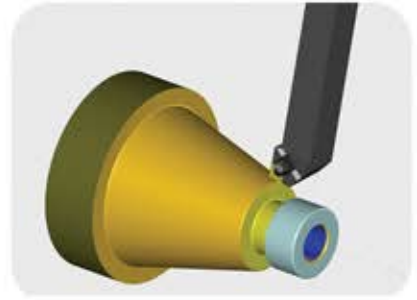
The smart plane system transforms solid modelling into a simple task. Users can extrude bosses, create solid cuts, split by plane, model directly on faces and much more. Geometry creation can be constructed with the same plane control. The smart plane revolutionizes Y and B Axis machining allowing users to simply pick a face and the required rotation position and angles are automatically obtained to machine to simplify a possibly difficult task.





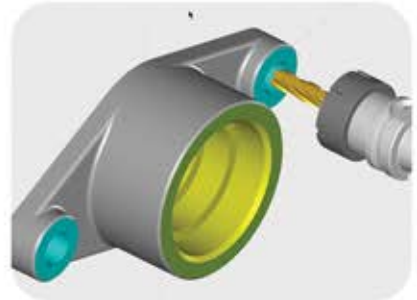
OneCNC 2 Axis

OneCNC Lathe provides powerful advanced rough and finish cycles together with facing, boring and drilling in either canned cycle or longhand format. Efficient toolpath calculation takes into consideration the complete tooling insert and tool holder with unique smart boundary that avoids gouging and eliminates air cutting. OneCNC supports the latest methodology in holders and tips for turning tools including productivity enhancing inserts for reliable efficient turning.



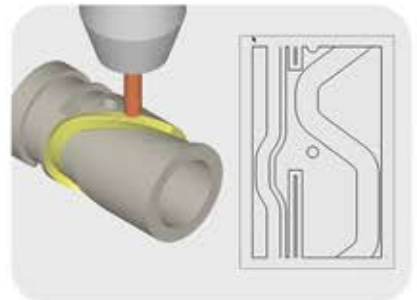
OneCNC C Axis Module

OneCNC simplifies using C Axis on a lathe providing the rotational motion around the Z Axis while live tooling on the turret performs the required milling drilling or tapping function. OneCNC feature recognition of the drilling, tapping and boring functionality saves time and simplifies these operations. Powerful milling functionality is provided for pocketing, part profile, chamfering and corner rounding all with the “Wizard Driven” assistance for easy productive programming.



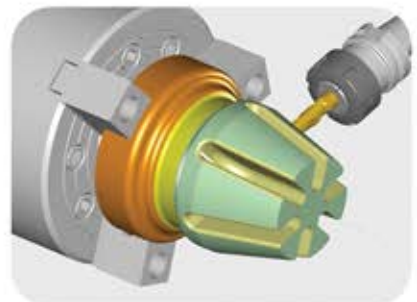
OneCNC Wrap Axis

OneCNC simple diametrical machining provides interpolation allowing users to flatten out the rotary axis for ease of programming. This function is provided as part of the C Axis module to support the live turning Mill-Turn functionality. OneCNC gives the option of long hand or machine canned cycle machining to perform all the required machining functions. This is a must have function for live tooling lathe users.



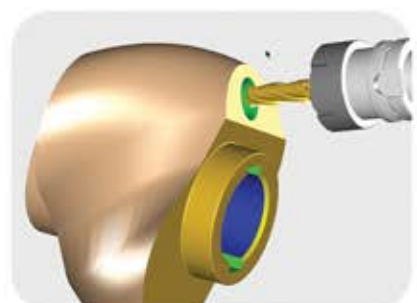
OneCNC C+Y Axis Module

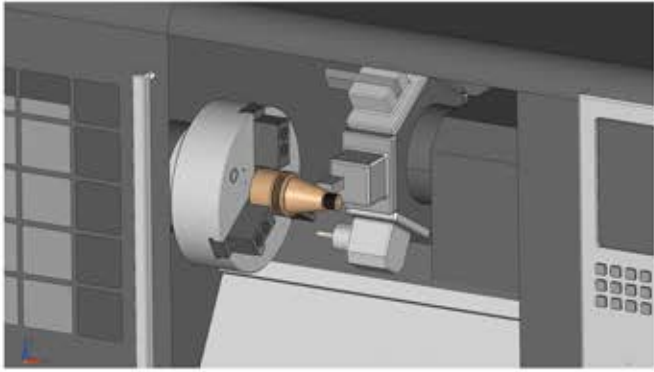
OneCNC Y Axis machining extends mill turning ability of 2 axis, C Axis and Wrap Axis machining by adding full functionality to the Y Axis of the machine. In conjunction with the use of the “Smart Plane” all the drilling tapping profiling and machining functions can be performed using the Y Axis of the lathe. OneCNC machine cycles provide optimised machine post configuration. Have complete confidence using Full simulation, real time sectioning and rest compare of the CAM operation.



OneCNC C+Y+B Axis Module

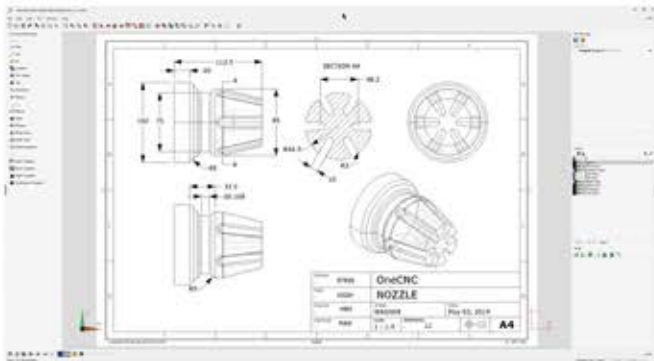
OneCNC B Axis machining extends mill turning ability of 2 axis, C Axis, C+Y Axis and Wrap Axis machining by adding full functionality to the B Axis angular machining. In conjunction with the use of the “Smart Plane” all the drilling tapping profiling and machining functions can be performed using the B axis of the lathe. OneCNC spatial plane cycle provides maximum precision for rotational angular control of each axis.





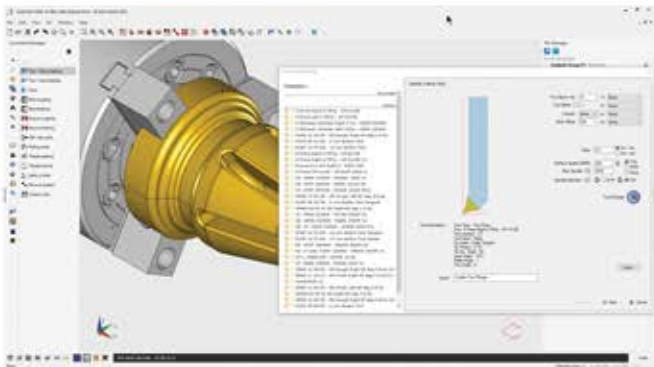
OneCNC Simulation

Accurate and reliable dynamic solid verification and sectioning eliminates the need for expensive dry runs on the machine. High-performance, real-time simulation ensures that even the most complex of parts will be machined correctly. The part program can simulate with a complete chuck, part, fixtures, clamps, and tail stock. Minimize downtime, maximize manufacturing efficiency, and cut machining costs while gaining complete confidence in your machining processes.



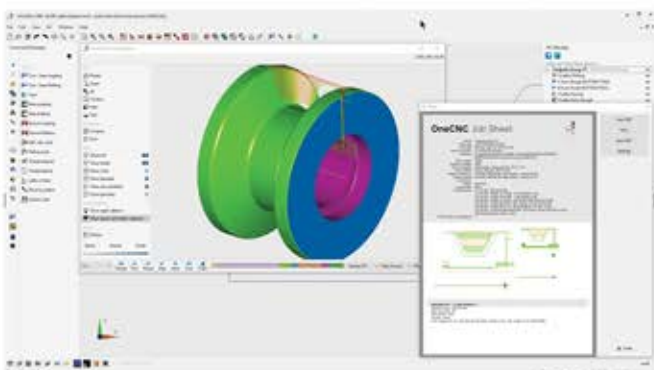
OneCNC Design

OneCNC gives your shop the best possible foundation for shop-tested CAD tools. From wireframe and surfacing with associated dimensioning to solid modelling, OneCNC ensures that you're ready for any job. The streamlined CAD engine makes design work easy because each piece of geometry you create can be incrementally or absolutely created. Combined with all traditional CAD geometry functions consolidated into a few simple clicks, simplifies the creation of even the most complex parts.



Wizard Driven CAM

Ease of use is a very important factor in creating NC tool paths. OneCNC CAM is "Wizard Driven" to lead users easily through the process with the minimum number of clicks. This ability allows the user to quickly and confidently produce tool paths without missing important settings. Work templates can be saved to further simplify use for commonly used functions.



OneCNC Industry 4.0

OneCNC addresses the emerging shift in manufacturing towards Industry 4.0. This ensures users can merge into these goals and have the full benefits of digitalisation. Complete connectivity is provided by way of translators or direct file importation that handles the latest STEP IGES Parasolid SLDPRT SAT 3DM and VADFS to suit Solidworks, Inventor, Rhino3D, Ironcad, Spaceclaim and others. All of these digital processes are necessary to ensure connectivity that comes with Industry 4.0.

OneCNC Global Locations

Australia - USA - USA California - UK - Germany
Benelux - Italy - France - Denmark - Spain - Sweden
Ireland - Poland - Turkey - South Africa - Mexico
Japan - China - Taiwan - Korea - Indonesia - India

More Information:
OneCNC.net

